

Align-Pilates®



Wall Mounted Half Cadillac Brackets Installation Instructions

Our Half Cadillac Wall Brackets allow you to easily convert your tower into a wall mounted version. Thus, meaning it has the advantage it can be used on its own without a reformer, or a reformer can be placed within the frame even if the reformer is not designed to accept a dedicated frame mounted Half Cadillac.

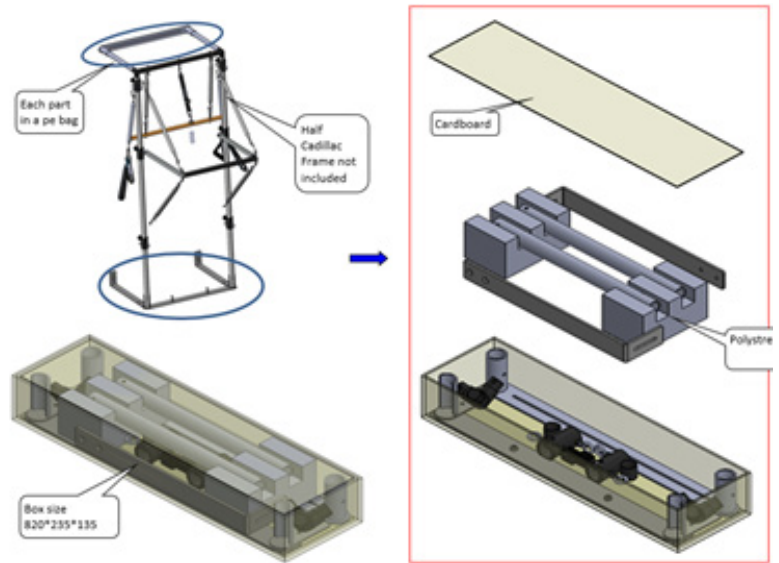
Installation Guide

To see the full parts list, please see page 4.

You should have:

- 3 piece lower bracket set
- 3 piece upper bracket set
- 2 x 3-way corner
- Bolt pack
- Tools for assembly

The A2 Half Cadillac is available separately.



Step 1

Remove the existing right-angle corner brackets from the A2 Half Cadillac frame (Fig. 1). This requires the removal of 2 bolts which will be used to re-attach the 3-way corner.



Step 2

Insert the 3-way corner in place of the right-angle corner you have removed and reinsert the 2 bolts to attach the corner to the frame. Only do the bolts up hand tight at this stage.

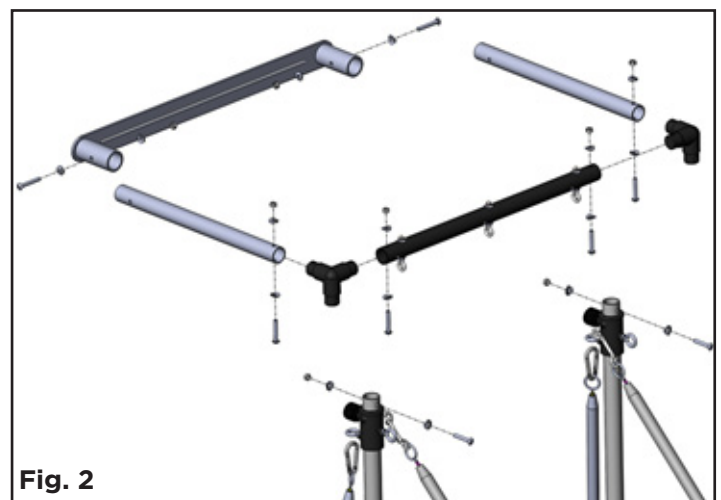
Step 3

As per Fig. 2, slide the 2 wall connector tubes from the upper bracket set on, and insert 2 further bolts to secure the bars to the Half Cadillac frame. Next, attach the upper bracket with a further 2 bolts, and fully tighten all 8 bolts with an Allen key. With the help of another person, lie the Half Cadillac down on the floor out of the way. Attach the Half Cadillac frame to the wall at approximately 190cm high.

Step 4

Next you will need to assemble the lower bracket set as per Fig 3. First, bolt the 2 L shaped floor brackets to the base frame with the 2 dome headed bolts facing upwards. Repeat for the other side. Then position against the wall where you intend to attach the frame. The Half Cadillac can be attached to the wall at the base between 3-10cm off of the floor.

Important Note: If the wall you wish to mount the bracket on has a skirting board you will need to prepare a spacer board (not included). The spacer board will need to be of an equal thickness as the skirting board, to place behind the upper bracket so the frame sits at 90 degrees to the wall. The spacer board will then need to be drilled accordingly to allow the attachment bolts to pass through it.



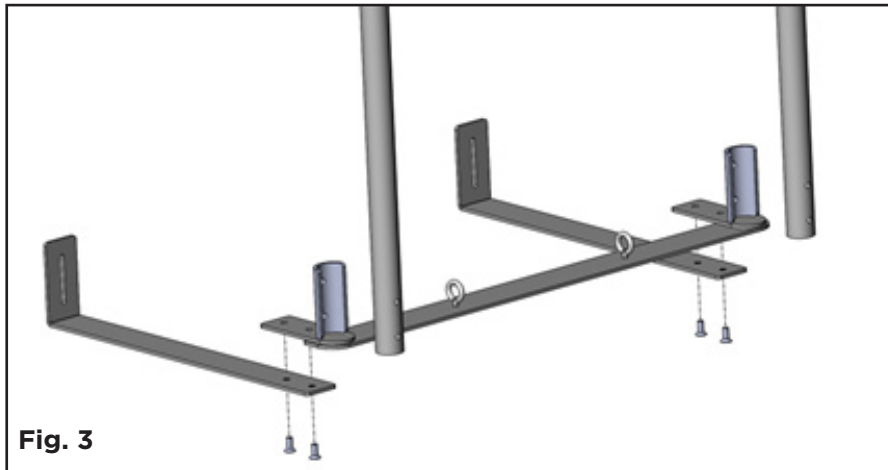


Fig. 3

Step 5

With the help of another person, stand the Half Cadillac upright and bolt the bottom of the poles to the floor bracket, using 2 bolts on either side as per Fig. 4. Your Wall Mounted Half Cadillac should now be fully assembled and should look like the picture on the front cover of this manual. You are now ready to attach the unit to the wall.

Step 6

Mark the position of the wall unit, which must be in place where the wall has been determined as suitably strong*. If the wall is not a solid wall, the unit must be bolted to suitably strong joists in the wall, which you will need to locate. The unit has been designed to provide a high degree of flexibility in the quantity and location of attachment points, to make assembly as easy as possible for the final desired location. The unit can accept wall fixings of a maximum diameter of 6mm to pass through the frame. Once attached to the wall test the unit is secure by pulling on it robustly.

**Align-Pilates recommend using a suitably qualified Tradesman to install this product. Such a Tradesman can assess the suitability/strength of the wall & floor to accept the unit and can select the appropriate wall fixings to attach the unit securely to the wall. Align-Pilates does not supply wall fixings with this product as these are dependent on the type of wall which the unit is being attached to.*

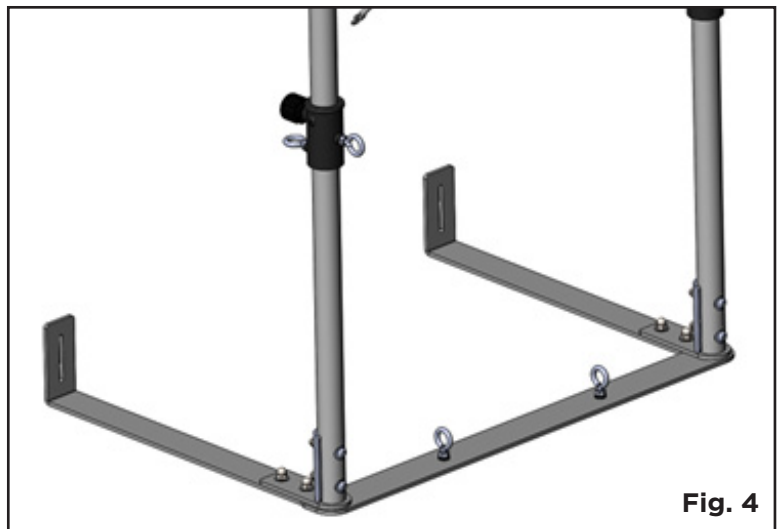




















Fig. 4

You are now ready to use your Wall Mounted Half Cadillac. Instructions on setting up the half Cadillac are supplied with the half Cadillac unit

Half Cadillac Wall Bracket				
Jul-17			PAPHALFADAPTA2	
Part No	Description	Technical information	3D Illustration	Qty
1	Floor bracket			1
2	3 way corner left			1
3	3 way corner right			1
4	Top tube			2
5	Upper wall attachment			1
6	Lower wall bracket			2
7	Eyelet	Ø33*Ø7*50*M8*14		2
8	Round head hex bolt	M8*50 Nickel plated		6
9	Round head hex bolt	M8*55 8.8		4
10	Round head hex bolt	M8*60 8.8		2
11	Countersunk hex bolt	M8*20 8.8		4
12	Hex nut	M8 Nickel plated		2
13	Nut	M8 Nickel plated		8
14	Dome nut	M8 Nickel plated		8
15	Washer	Ø8.5*Ø20*T1.5 Nickel plated		4
16	Dished washer	Ø8.5*Ø20*T1.5		24
17	Allen Key	6mm		1
18	Multi Tool			1

Any questions regarding this product please contact your distributor or email
customercare@align-pilates.com
For more information about Align-Pilates, please head to our website: **Align-Pilates.com**